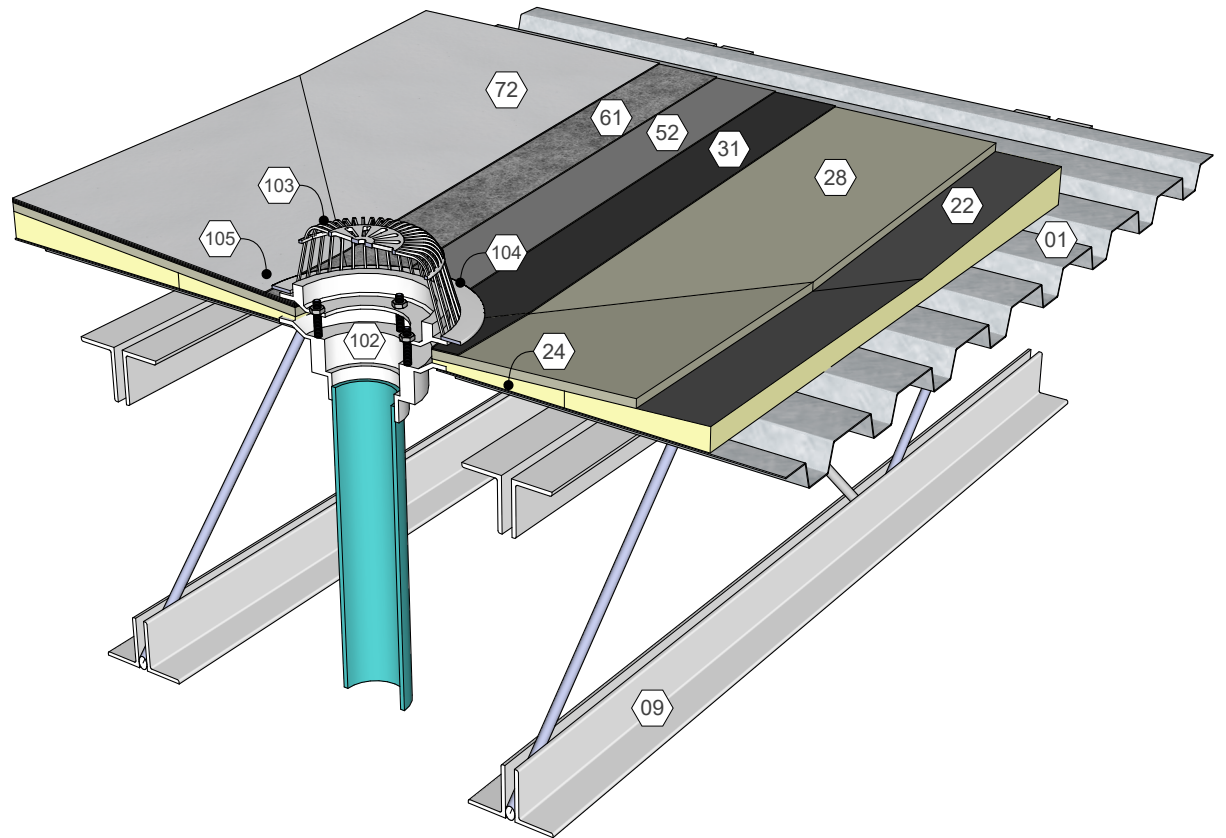
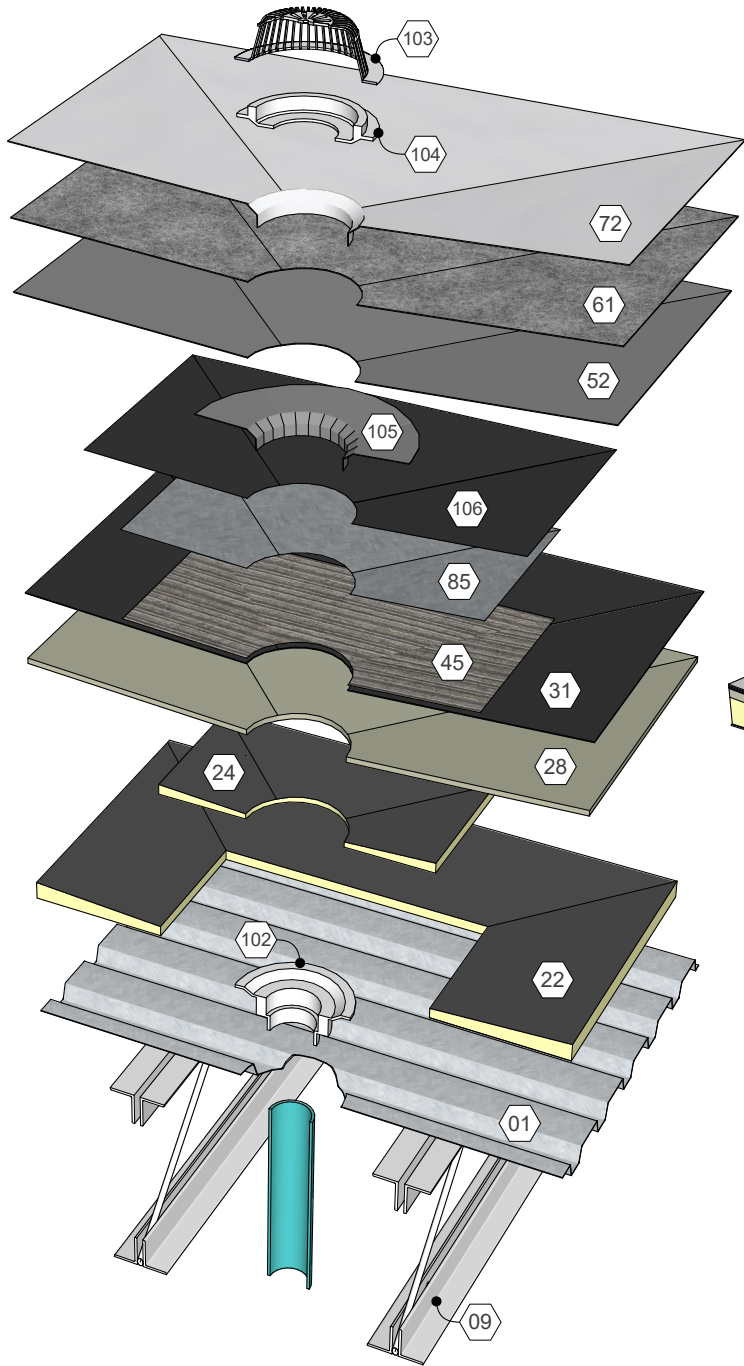
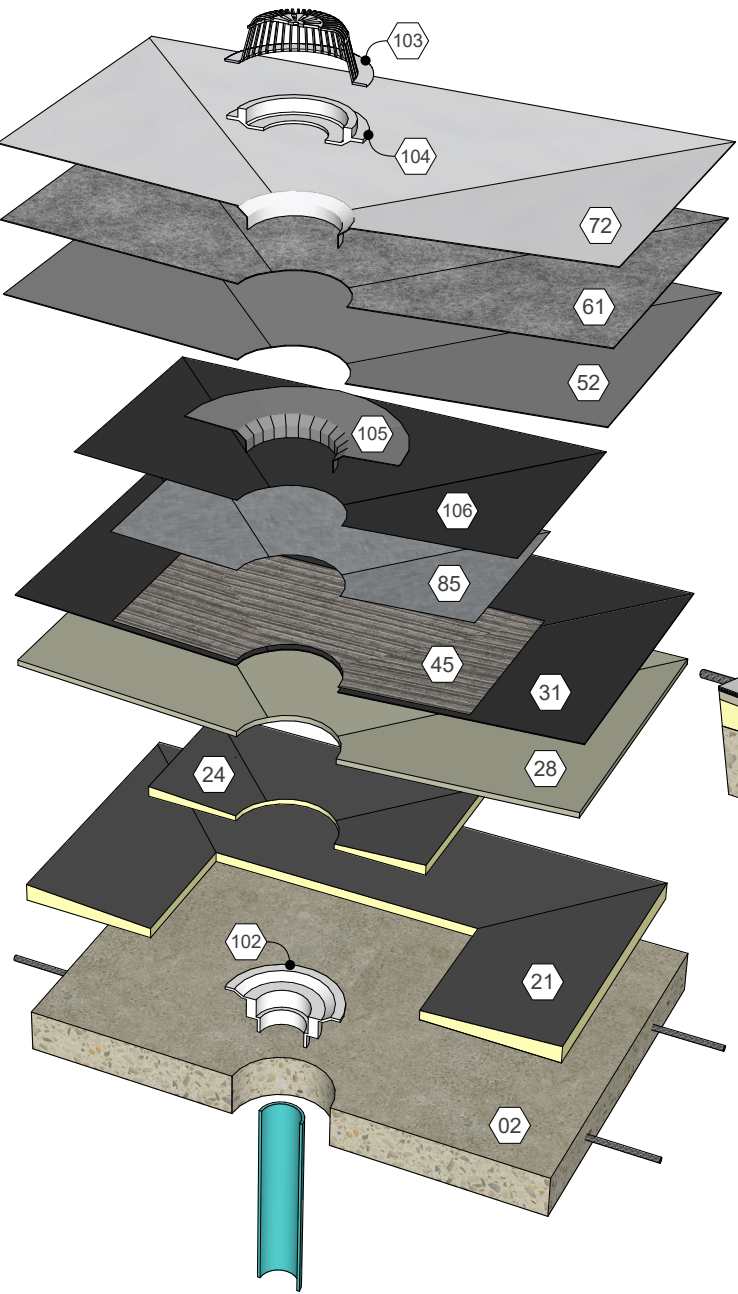


KEY NOTES

- | | | |
|--|-------------------------------------|-----------------------------|
| 01 Metal Deck | 31 Approved Base Ply Sheet | 102 Drain Pan |
| 09 Roof Structure | 45 Roofing Mastic | 103 Metal Drain Strainer |
| 22 Polyisocyanurate Insulation (Fastened or Adhered) | 52 AlphaGuard BIO Base Coat | 104 Clamping Ring |
| 24 Tapered Insulation Sump | 61 AlphaGuard Glass Mat or Permafab | 105 AlphaGuard Target Patch |
| 28 Cover Board (Adhered) | 72 AlphaGuard BIO Top Coat | 106 Stripping Ply |
| | 85 Lead Flashing Sheet | |

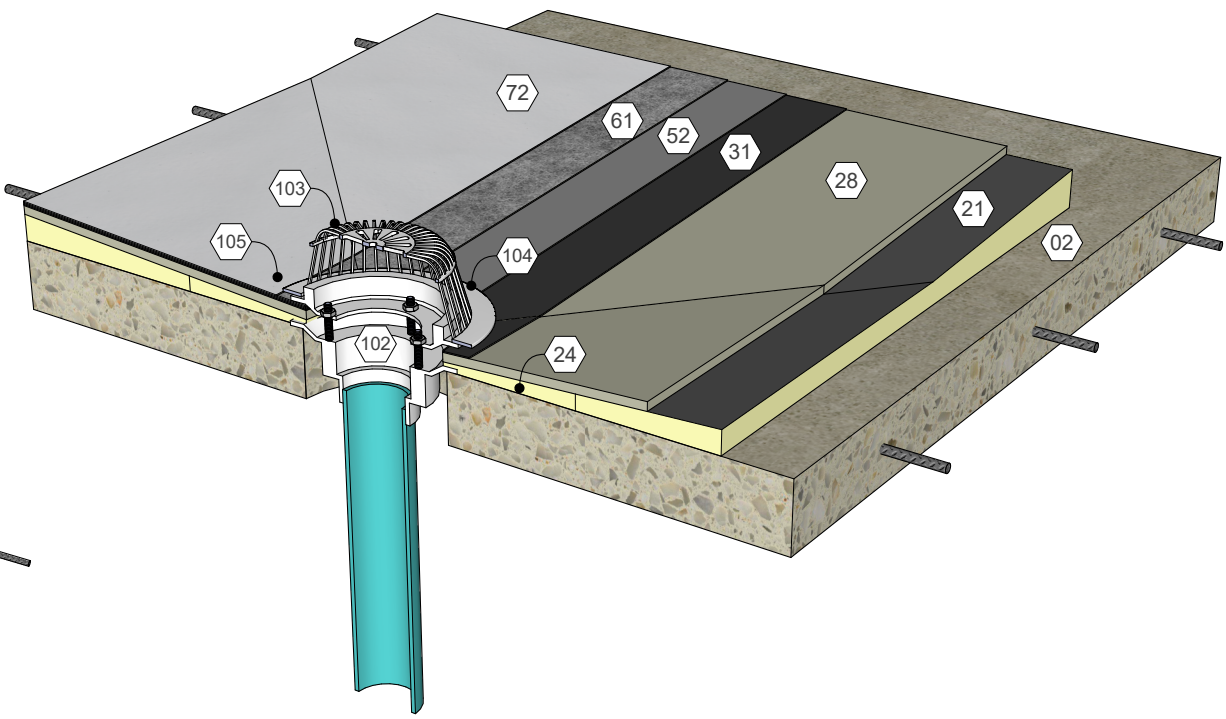


AlphaGuard® BIO Plus Roof Drain Detail, Metal Deck
Detail 23221



KEY NOTES

- 02 Structural Concrete Deck
- 21 Polyisocyanurate Insulation (Adhered)
- 24 Tapered Insulation Sump
- 28 Cover Board (Adhered)
- 31 Approved Base Ply Sheet
- 45 Roofing Mastic
- 52 AlphaGuard BIO Base Coat
- 61 AlphaGuard Glass Mat or Permafab
- 72 AlphaGuard BIO Top Coat
- 85 Lead Flashing Sheet
- 102 Drain Pan
- 103 Metal Drain Strainer
- 104 Clamping Ring
- 105 AlphaGuard Target Patch
- 106 Stripping Ply

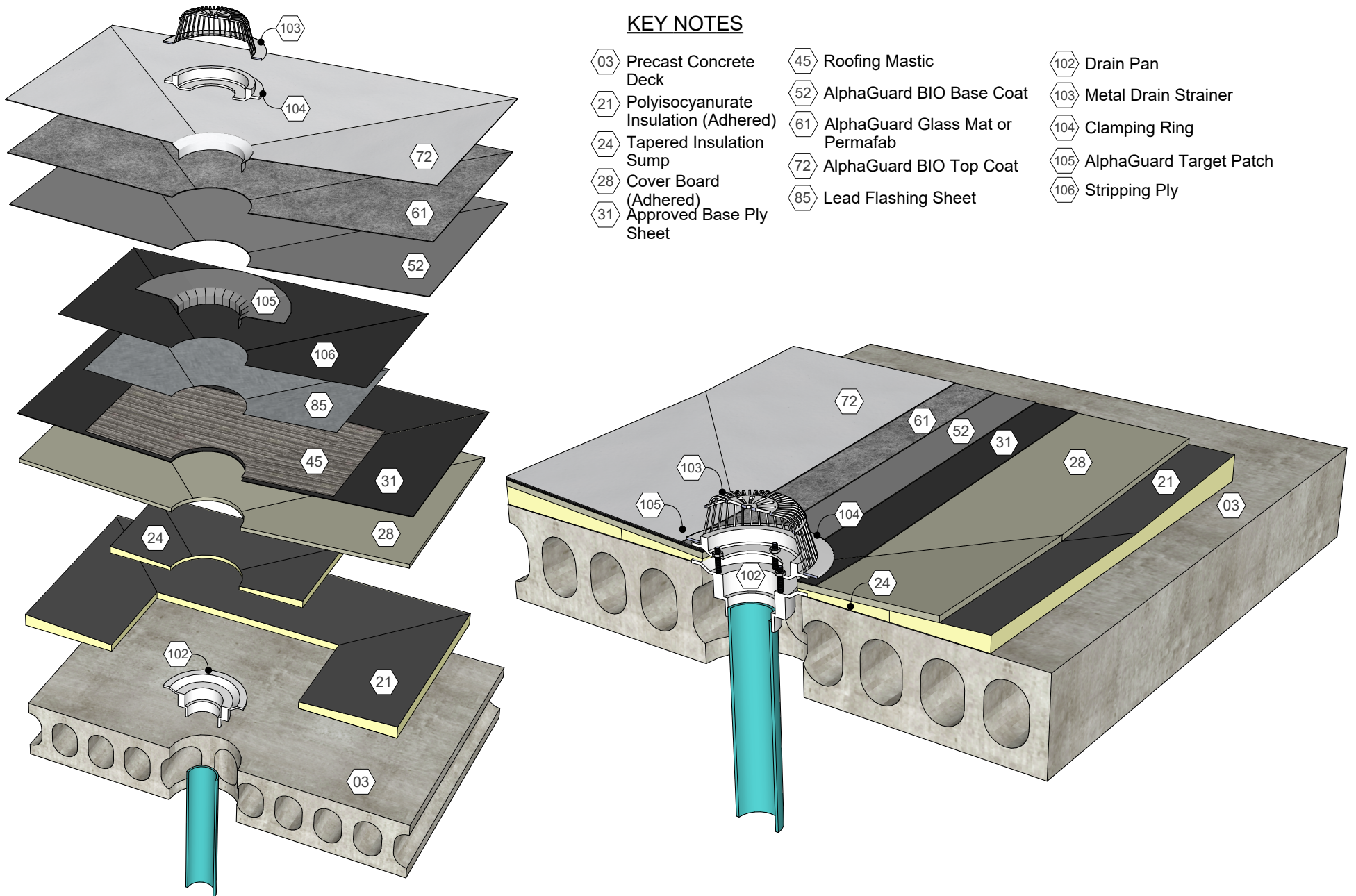


AlphaGuard® BIO Plus Roof Drain Detail, Structural Concrete Deck
 Detail 23222

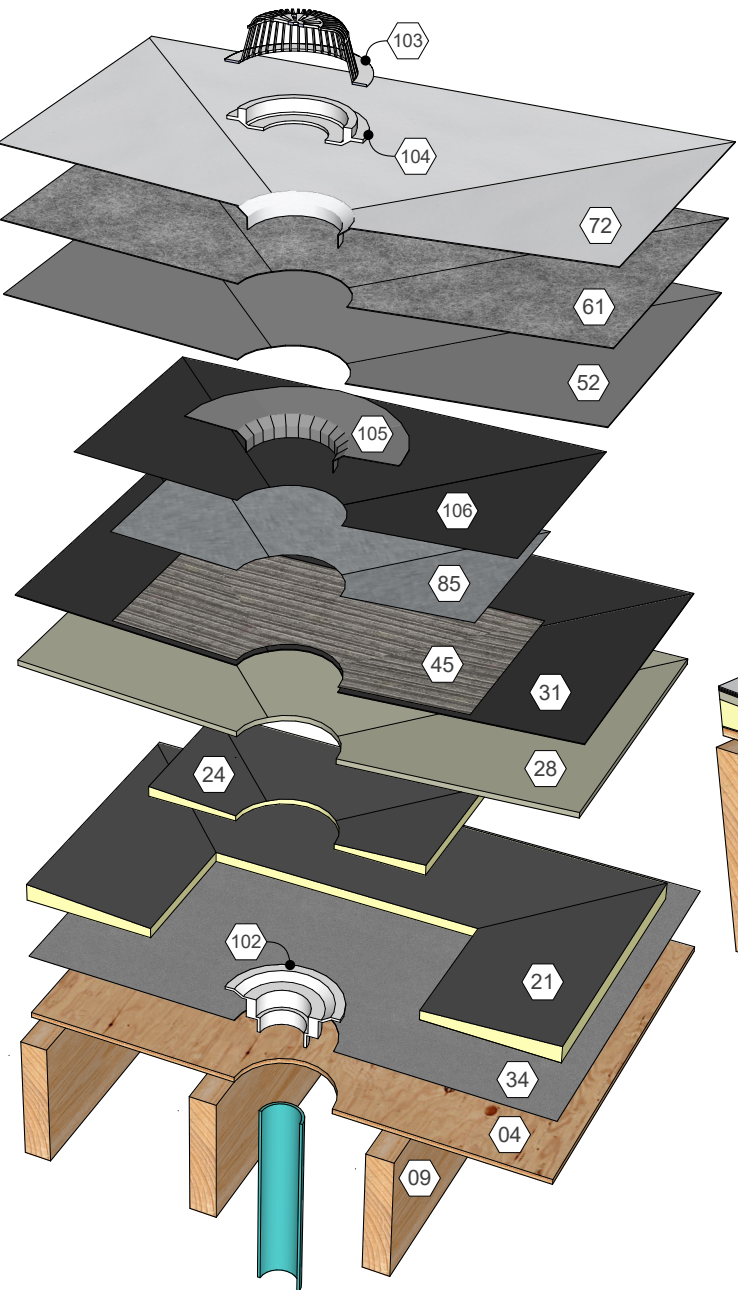


KEY NOTES

- | | | | | | |
|----|---------------------------------------|----|----------------------------------|-----|-------------------------|
| 03 | Precast Concrete Deck | 45 | Roofing Mastic | 102 | Drain Pan |
| 21 | Polyisocyanurate Insulation (Adhered) | 52 | AlphaGuard BIO Base Coat | 103 | Metal Drain Strainer |
| 24 | Tapered Insulation Sump | 61 | AlphaGuard Glass Mat or Permafab | 104 | Clamping Ring |
| 28 | Cover Board (Adhered) | 72 | AlphaGuard BIO Top Coat | 105 | AlphaGuard Target Patch |
| 31 | Approved Base Ply Sheet | 85 | Lead Flashing Sheet | 106 | Stripping Ply |

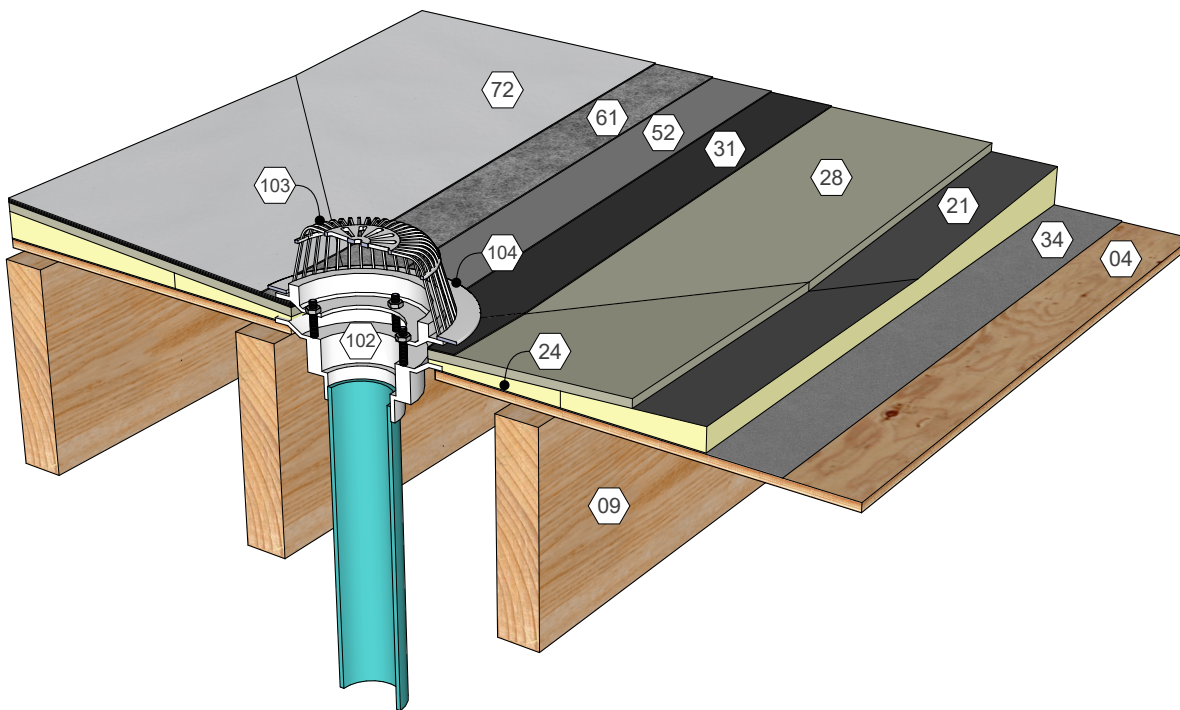


AlphaGuard® BIO Plus Roof Drain Detail, Precast Concrete Deck
Detail 23223



KEY NOTES

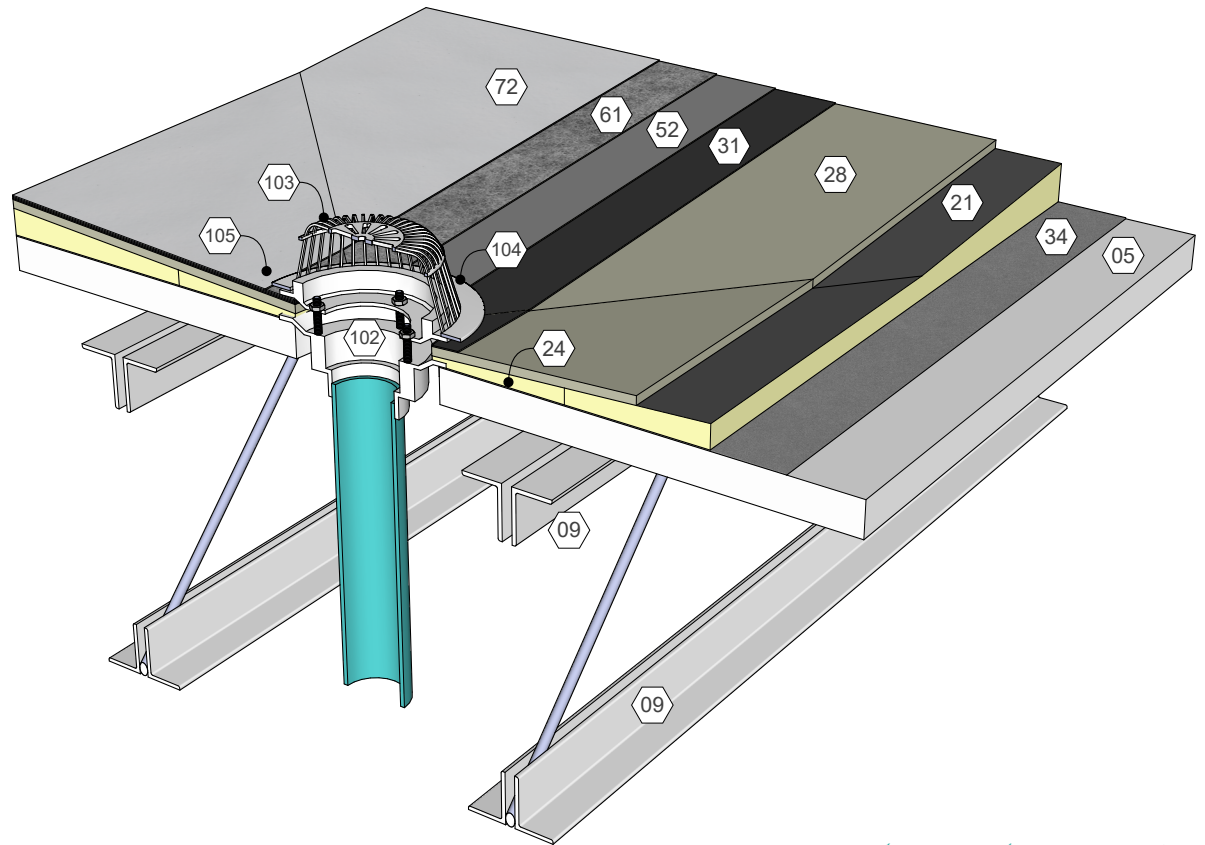
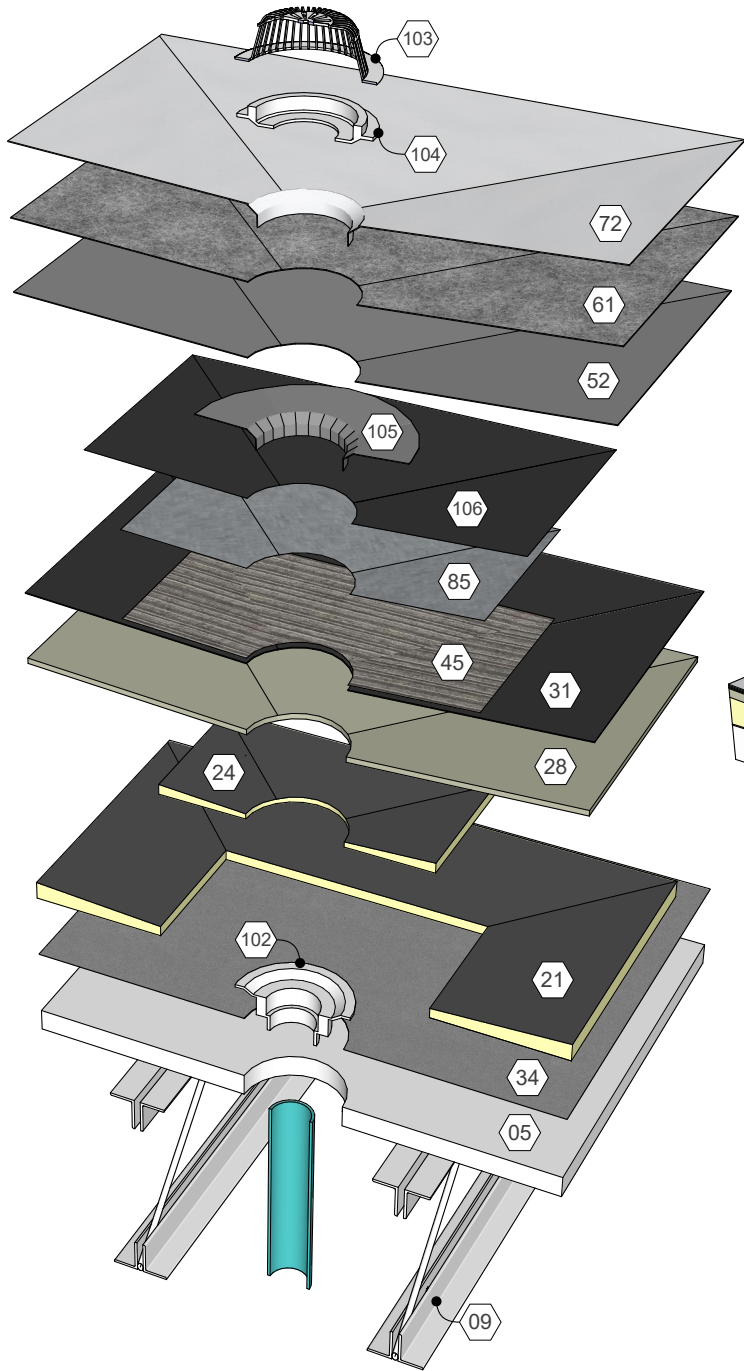
- | | | |
|--|-------------------------------------|-----------------------------|
| 04 Wood Deck | 31 Approved Base Ply Sheet | 85 Lead Flashing Sheet |
| 09 Roof Structure | 34 Base Sheet (Fastened) | 102 Drain Pan |
| 21 Polyisocyanurate Insulation (Adhered) | 45 Roofing Mastic | 103 Metal Drain Strainer |
| 24 Tapered Insulation Sump | 52 AlphaGuard BIO Base Coat | 104 Clamping Ring |
| 28 Cover Board (Adhered) | 61 AlphaGuard Glass Mat or Permafab | 105 AlphaGuard Target Patch |
| | 72 AlphaGuard BIO Top Coat | 106 Stripping Ply |



AlphaGuard® BIO Plus Roof Drain Detail, Wood Deck
Detail 23224

KEY NOTES

- | | | |
|--|-------------------------------------|-----------------------------|
| 05 Gypsum Deck | 31 Approved Base Ply Sheet | 85 Lead Flashing Sheet |
| 09 Roof Structure | 34 Base Sheet (Fastened) | 102 Drain Pan |
| 21 Polyisocyanurate Insulation (Adhered) | 45 Roofing Mastic | 103 Metal Drain Strainer |
| 24 Tapered Insulation Sump | 52 AlphaGuard BIO Base Coat | 104 Clamping Ring |
| 28 Cover Board (Adhered) | 61 AlphaGuard Glass Mat or Permafab | 105 AlphaGuard Target Patch |
| | 72 AlphaGuard BIO Top Coat | 106 Stripping Ply |



AlphaGuard® BIO Plus Roof Drain Detail, Gypsum Deck
Detail 23225